



**BRAVEHEART
MARINE**



ROCKY

J7.50

Specifications





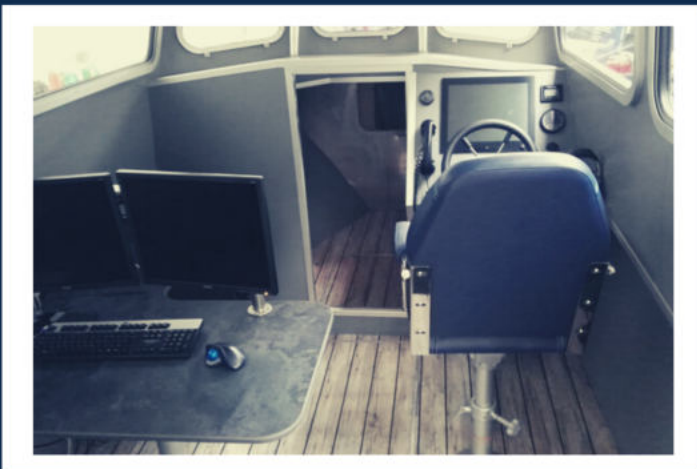
SURVEY VESSEL

ROCKY

MAIN FEATURES

Length	7.60 meters
Breadth o.a.	2.50 meters
Draft	0.40 meter
Gross tonnage	2.8 tons
Registered	NL
Built	2016

Hull material	Aluminum
Max speed	30 knots
Cruising speed	20 knots
Inboard engine	Volvo Penta
Communication	Marifoon & VHF Radio
Navigation	AIS & RTK dGPS



GENERAL ARRANGEMENT

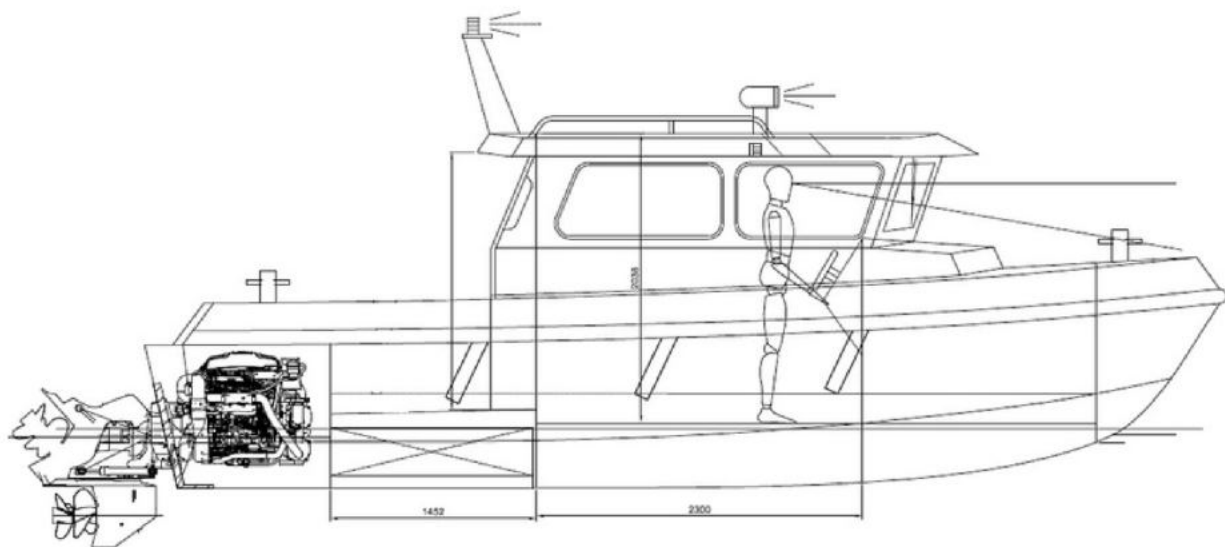
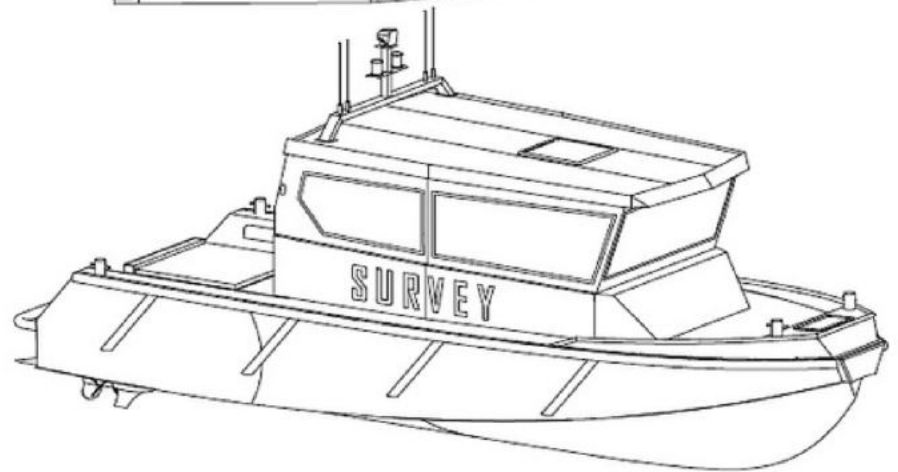
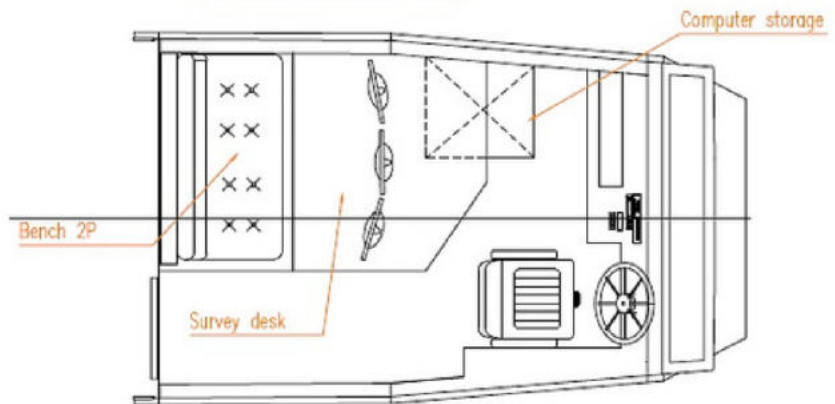
DESIGNED FOR SURVEY OPERATIONS.

- 3 seats
- 1 toilet
- Bow Thruster
- 1 moon pool
- Side pole available

SURVEY EQUIPMENT

Multibeam T20-P
Pos MV Wavemaster
AML SVP & SVS

WHEELHOUSE LAY-OUT



ENQUIRE TODAY!

info@braveheartmarine.com